



SY135C

Strong Power Value Leader

Brand new change **QUALITY**
CHANGES THE WORLD
Quality changes the world



Selling Points

● Energy Conservation and Environment Protection

With environmental friendly engine in accordance with national emission standard of stage III, the operating mode could be regulated automatically according to different working conditions to realize precise control in real time; as compared with previous generation, the fuel consumption is lower. It is well known for its "low fuel consumption" in the industry.

● Stable & Reliable

With reinforced working device and high-strength slewing platform, the service life of structural members is extended by 30% averagely and the overall performance becomes more stable.

● Durable & Efficient

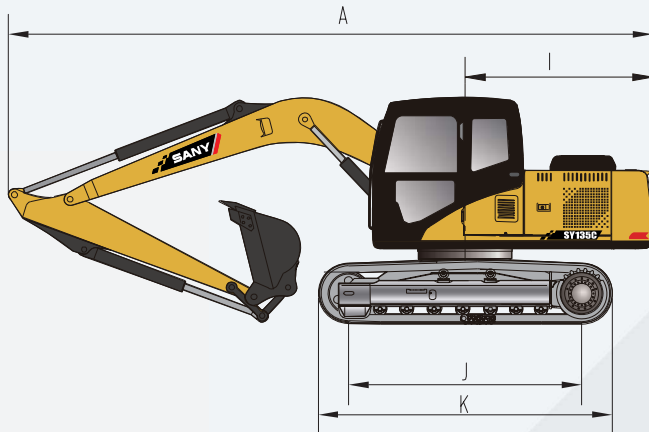
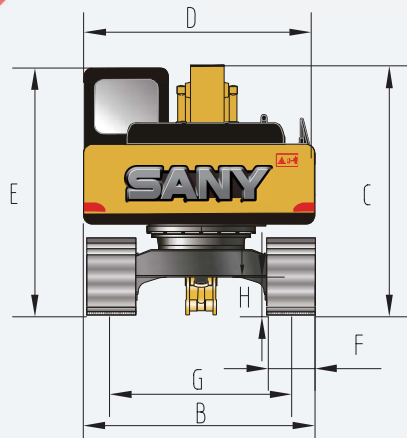
With unique automatic optimizing control technology (AOCT), the engine matches with the main pump perfectly, the service life of the component is extended by 30%, the action is faster and the working efficiency is improved by 10%.

● Innovative Appearance

With new type masculine cabin, full three-dimensional covering parts, and bread new appliqué of stronger recognizability, the overall appearance is more beautiful, elegant and featured.

Overall dimensions (mm)

Standard



	SY135C
A. Overall length (in transportation state)	7700
B. Overall width (in transportation state / in operation state)	2550
C. Overall height (in transportation state)	2815
D. Upper width	2490
E. Total height to the cab top	2740
F. Width of standard track shoe	500
G. Track gauge (in transportation state / in operation state)	1990
H. Minimum ground clearance	425
I. Slewing radius of tail	2240
J. Ground contact length of track	2930
K. Track shoe length	3665

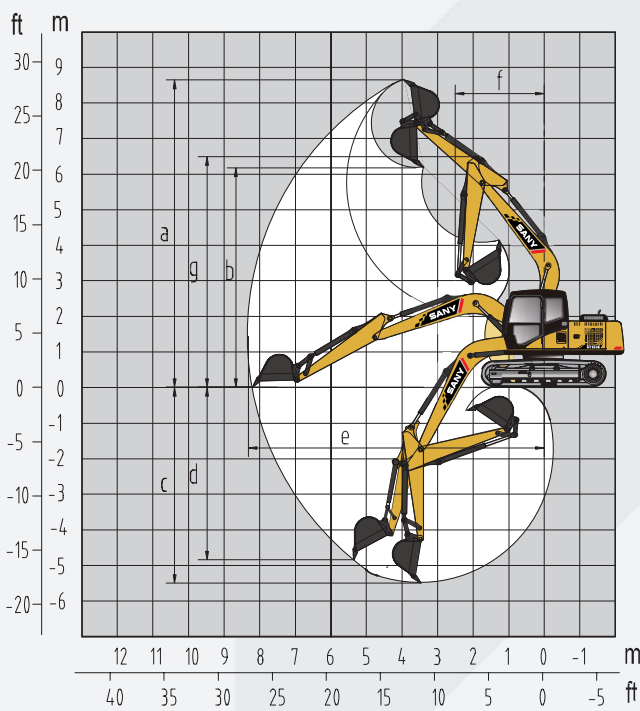
Performance parameters

Standard

	SY135C
Total weight, kg	13500
Bucket capacity, m ³	0.22-0.7(0.6)
Rated power, kW/rpm	73/2000
Traveling speed (high/low), km/h	5.5/3.5
Slewing speed, rpm	12
Gradeability	70%/35°
Ground pressure, kPa	41.7
Digging force of bucket, kN	92.7
Digging force of bucket rod, kN	66.13

Operating range (mm)

Standard



	SY135C
a. Maximum digging height	8685
b. Maximum unloading height	6180
c. Maximum digging depth	5510
d. Maximum digging depth with vertical boom	4890
e. Maximum digging distance	8290
f. Minimum slewing radius	2500
g. Maximum height at minimum slewing radius	6500

SANY Heavy Machinery Co., Ltd.

SANY Industrial Park, Dongcheng Avenue, Kunshan Economic & Technological Development Zone, Jiangsu Province

Post code: 215300

After-sales service hotline: 4008-28-2318

Consulting & complaint hotline: 4008-87-9318



Note

The documents and technical specification will be changed without further notice due to continuous technical improvement. The machine in the picture might include additional equipment.

ZJSYX0604CH (August, 2017)

Printed in CHINA