

# SANY



**QUALITY  
CHANGES THE WORLD**

**Vertical Reach: 53.5m**

## **SY5423THB 530C-8D TRUCK-MOUNTED CONCRETE PUMP**

### **Energy-saving**

With cycle times of up to 29 per minute (at 12MPa), pumpefficiency is increased up to 25% while fuel consumption is decreased by up to 10%.

### **Highly Wear Resistant Parts**

The highly wear resistant parts improve efficiency and reduce down time.

### **Safety**

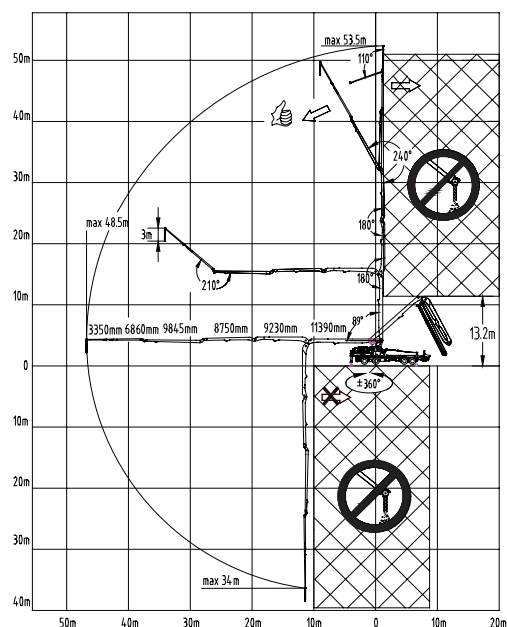
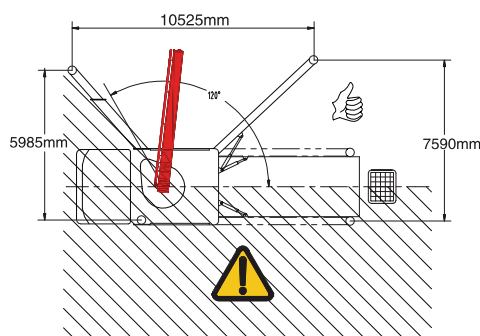
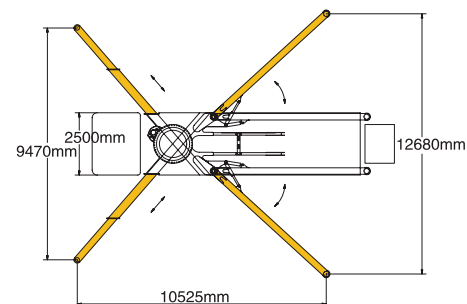
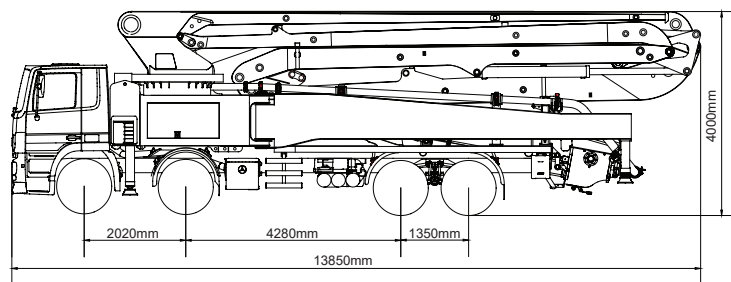
Our C8 series truck mounted concrete pump exemplifies Sany's precise, rigorous manufacturing philosophy and uncompromising focus on safety.

### **Self-diagnosis Technology**

Continually monitors more than 200 aspects of the system during operation. Faults are displayed on the monitor. Review of the detected faults can reduce troubleshooting time by 70%.

# TECHNICAL SPECIFICATIONS

| Model                          |                                     | SY5423THB 530C-8D |                  |
|--------------------------------|-------------------------------------|-------------------|------------------|
| Overall Specification          | Length(mm)                          | 13850             |                  |
|                                | Width(mm)                           | 2500              |                  |
|                                | Height(mm)                          | 4000              |                  |
|                                | Dead Weight(kg)                     | 42490             |                  |
| Boom & Outrigger Specification | Vertical Reach(m)                   | 53.5              |                  |
|                                | Horizontal Reach(m)                 | 48.5              |                  |
|                                | Reach Depth(m)                      | 34                |                  |
|                                | Min. Unfolded Reach(m)              | 13.2              |                  |
|                                | 1st Section                         | Length(mm)        | 11390            |
|                                |                                     | Articulation(°)   | 89               |
|                                | 2nd Section                         | Length(mm)        | 9230             |
|                                |                                     | Articulation(°)   | 180              |
|                                | 3rd Section                         | Length(mm)        | 8750             |
|                                |                                     | Articulation(°)   | 180              |
|                                | 4th Section                         | Length(mm)        | 9845             |
|                                |                                     | Articulation(°)   | 240              |
|                                | 5th Section                         | Length(mm)        | 6860             |
|                                |                                     | Articulation(°)   | 210              |
|                                | 6th Section                         | Length(mm)        | 3350             |
| Articulation(°)                |                                     | 110°              |                  |
| Rotation(°)                    |                                     | ±360°             |                  |
| Front Outrigger Spread L-R(mm) |                                     | 9470              |                  |
| Rear Outrigger Spread L-R(mm)  |                                     | 12680             |                  |
| Pumping System Specification   | Output (m³/h)                       | Low-Pressure      | 180              |
|                                |                                     | High-Pressure     | 125              |
|                                | Pressure (MPa)                      | Low-Pressure      | 8.3              |
|                                |                                     | High-Pressure     | 12               |
|                                | Max. strokes per minute (times/min) | Low-Pressure      | 29               |
|                                |                                     | High-Pressure     | 19               |
|                                | Delivery Cylinder Diameter(mm)      |                   | 260              |
|                                | Stroke Length(mm)                   |                   | 2100             |
|                                | Hydraulic System                    |                   | Open             |
|                                | Hydraulic System Oil Pressure(MPa)  |                   | 32               |
|                                | Oil Tank Capacity(L)                |                   | 680              |
|                                | Water Tank Capacity(L)              |                   | 620              |
| Pipe Diameter(mm)              |                                     | 125               |                  |
| End Hose Length(m)             |                                     | 3                 |                  |
| End Hose Diameter(mm)          |                                     | 125               |                  |
| Chassis Specification          | Chassis Brand                       |                   | BENZ             |
|                                | Chassis Model                       |                   | Actros 4141      |
|                                | Engine Type                         |                   | OM501LA. III /17 |
|                                | Engine Maximum Net Power(kW/rpm)    |                   | 300/1800         |
|                                | Emission Standard                   |                   | Euro III         |
|                                | Fuel Tank Capacity(L)               |                   | 400              |
|                                | Displacement(L)                     |                   | 11.946           |
|                                | Max. Speed(km/h)                    |                   | 80               |



**SANY HEAVY INDUSTRY CO., LTD.**

SANY Industry Town, Changsha Economic and Technological Development Zone,  
Hunan Province, China  
Service Line: +86 4006 098 318 E-mail: crd@sany.com.cn

**SANY**<sup>®</sup>  
QUALITY CHANGES THE WORLD.