

# SANY



**QUALITY  
CHANGES THE WORLD**

**Vertical Reach: 62.0m**

## **SYM5535THB 620C-8 TRUCK-MOUNTED CONCRETE PUMP**

### **Energy-saving**

With cycle times of up to 29 per minute (at 12MPa), pumpefficiency is increased up to 25% while fuel consumption is decreased by up to 10%.

### **Highly Wear Resistant Parts**

The highly wear resistant parts improve efficiency and reduce down time.

### **Safety**

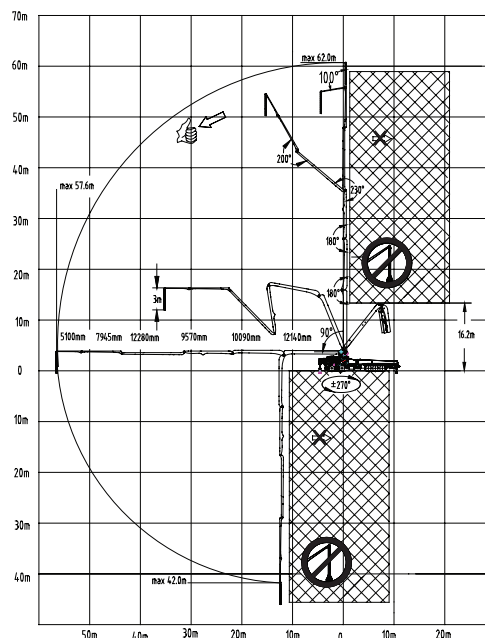
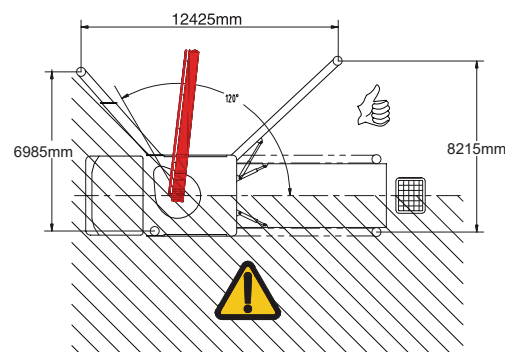
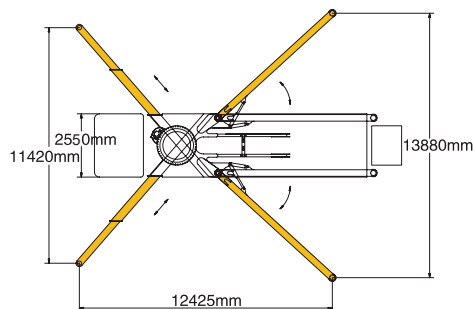
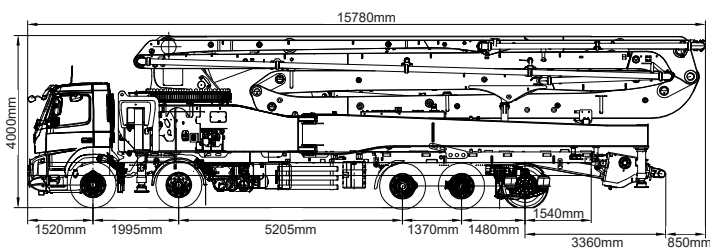
Our C8 series truck mounted concrete pump exemplifies Sany's precise, rigorous manufacturing philosophy and uncompromising focus on safety.

### **Self-diagnosis Technology**

Continually monitors more than 200 aspects of the system during operation. Faults are displayed on the monitor. Review of the detected faults can reduce troubleshooting time by 70%.

# TECHNICAL SPECIFICATIONS

Model		SYM5535THB 620C-8	
Overall Specification	Length(mm)	15780	
	Width(mm)	2550	
	Height(mm)	4000	
	Dead Weight(kg)	53000	
Boom & Outrigger Specification	Vertical Reach(m)	62	
	Horizontal Reach(m)	57.6	
	Reach Depth(m)	42	
	Min. Unfolded Reach(m)	16.2	
	1st Section	Length(mm)	12140
		Articulation(°)	90
	2nd Section	Length(mm)	10090
		Articulation(°)	180
	3rd Section	Length(mm)	9570
		Articulation(°)	180
	4th Section	Length(mm)	12280
		Articulation(°)	230
	5th Section	Length(mm)	7945
		Articulation(°)	200
	6th Section	Length(mm)	5100
Articulation(°)		100	
Rotation(°)		±270	
Front Outrigger Spread L-R(mm)		11420	
Rear Outrigger Spread L-R(mm)		13880	
Pumping System Specification	Output (m³/h)	Low-Pressure	180
		High-Pressure	125
	Pressure (MPa)	Low-Pressure	8.3
		High-Pressure	12
	Max. strokes per minute (times/min)	Low-Pressure	29
		High-Pressure	19
	Delivery Cylinder Diameter(mm)		260
	Stroke Length(mm)		2100
	Hydraulic System		Open
	Hydraulic System Oil Pressure(MPa)		32
	Oil Tank Capacity(L)		650
	Water Tank Capacity(L)		700
Pipe Diameter(mm)		125	
End Hose Length(m)		3	
End Hose Diameter(mm)		125	
Chassis Specification	Chassis Brand		Volvo
	Chassis Model		FM540 104R B
	Engine Type		OM501LA. IV /5
	Engine Maximum Net Power(kW/rpm)		368/1400~1900
	Emission Standard		China stage V
	Fuel Tank Capacity(L)		415
	Displacement(L)		12.8
	Max. Speed(km/h)		85



**SANY HEAVY INDUSTRY CO., LTD.**

SANY Industry Town, Changsha Economic and Technological Development Zone, Hunan Province, China

Service Line: +86 4006 098 318 E-mail: crd@sany.com.cn

**SANY**<sup>®</sup>  
QUALITY CHANGES THE WORLD.